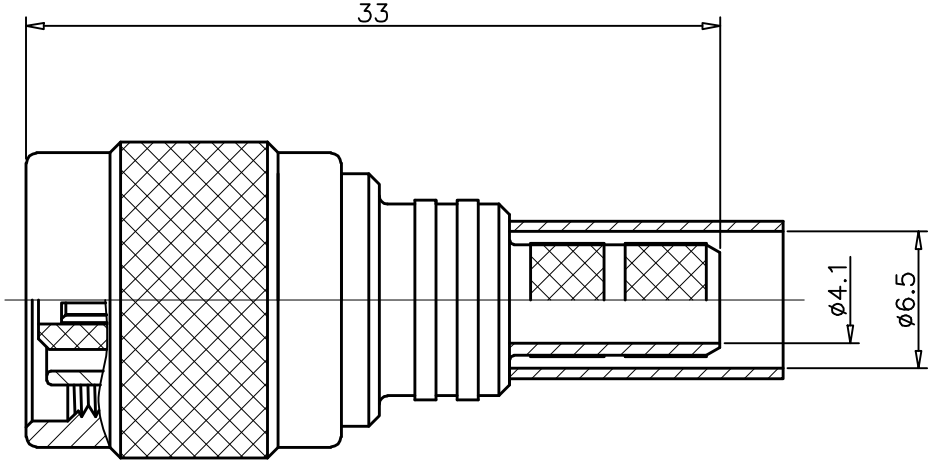


1	2	3	4	
RevNo	Revision note	Date	Signature	Checked
00	Sketch Only	6/26/14	Teresa	Simon



Interface Per: MIL-C-39012, IEC 60169-17

Material & Finishing:

1. Center condutor: Brozen, Gold Plating
2. Insulators: PTFE
3. Gasket: Silicone Rubber
4. Body & Other Metal: Brass, Nickel Plating
5. Coupling Nut: Brass, Nickel Plating
6. Snap Ring: Phosphor Bronze

RoHS Compliant.

ALL DIMENSIONS ARE IN MILLIMETERS AND [INCHES]

KERUI ELECTRONIC CO;LTD

Title  
RPTNC female crimp for LMR240 cable

THESE DRAWING & SPEC. ARE THE PROPERTY OF KERUI ELECTRONIC CO;LTD AND SHALL NOT BE REPRODUCED, OR COPIED OR USED AS THE BASIS FOR THE MANUFACTURE OR SALE OF APPARATUS OR DEVICES WITHOUT THEIR EXPRESS WRITTEN CONSENT.

UNLESS OTHERWISE NOTED ALL SURFACES FINISHED TO 64/MAX.  
ALL TOLERANCES ARE:  
DECIMALS FRACTIONS ANGLES  
x ± 1.0 ±1/64 x' ± 1'  
x.x ± 0.5 x'x' ± 0.5  
x.xx ± 0.1

Drawn by Teresa	Ckd by Simon	Appd by Richard	Date 6/26/2014
--------------------	-----------------	--------------------	-------------------

Scale 3:1	Sheet 1 of 1	50 1120 121 01
--------------	--------------	----------------